






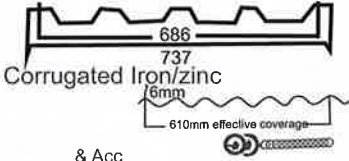

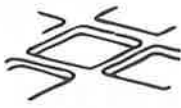









SHER STEEL
& Alloy Suppliers cc

CK 1992/019626/23

WIDE RANGE OF STAINLESS STEEL ACCESSORIES AVAILABLE

<p>Angles</p> 	<p>WE STOCK STAINLESS PRODUCTS</p>	<p>TUBING</p> <p>Rectangular </p> <p>Square </p> <p>Round </p>
<p>Window Sections</p> 	<p>1) HANDRAIL</p>	<p>COLD FORMED SECTIONS</p>  <p>Open Lip Purlin Z Equal</p>
<p>Square Bar</p> 	<p>2) CLADDING FOR DECORATING YOUR BUILDING</p>	<p>ROOF SHEETING</p> <p>GALV + FIBREGLASS IBR TYPE</p>  <p>Corrugated Iron/zinc 6mm 610mm effective coverage & Acc</p>
<p>Round Bar</p> 	<p>3) SHOP FRONTS & DOORS IN STAINLESS</p>	<p>EXPANDED METAL</p> 
<p>Flat Bar</p> 	<p>4) ALL ARCHITECTURE REQUIREMENTS</p>	<p>GALVANISED DECKING</p> 
<p>M.S Plates</p> 	<p>5) WE BEND AND ROLL STAINLESS STEEL & MILD STEEL TUBING</p>	
<p>FLAT SHEETS</p> <p>HOT COLD GALV/ZINC</p> 	<p>POWER TOOLS</p>	
<p>DIAMOND MESH FENCING</p> 		

EMAIL: sherstel@global.co.za / toni@shersteel.co.za

OPEN MON - FRI: 08h00 - 17h00 Sat.: 08h00 - 13h00

SUPPLIERS OF STAINLESS STEEL PIPING, VALVES FITTING, ANGLES,
ROUNDS & SHEETS LIGHT FABRICATION ALSO P.V.C MILD STEEL & PROFILING